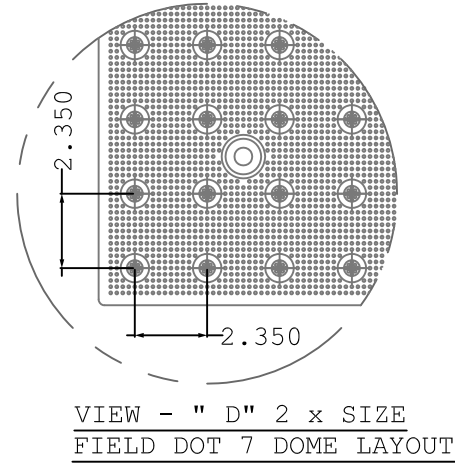
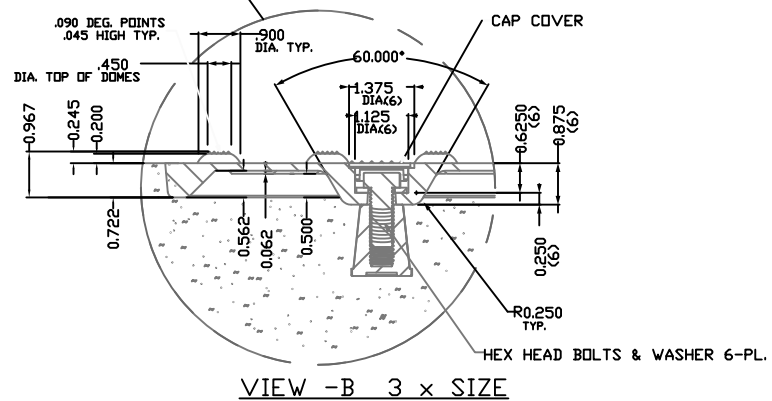


NOTE: U.S. PATENT # 7,779,581 APPEARS ON TOP SIDE OF PART AS SHOWN.



WWW.ADATILE.COM

U.S. PATENT # 7,779,581

TRADE TACTILE WARNING SURFACE		PART NO. 2448STDNVREP	
MATERIAL SMC COMPOSITE			
PROJECT			
WET SET ADA STD REPLACEABLE TACTILE WARNING SURFACE UNIT 6-BOLT LOCATIONS 2.350" IN LINE TRUNCATED DOME PATTERN PART SIZE 24" x 48" PLANS AND DETAILS			
DRAWING NO. ADA-REPSTD2448		DATE 09-25-10	
ADA SOLUTIONS, INC. (800) 372-0519 P.O. Box 3 N.Billerica, Ma. 01862			