

BOTTOM VIEW

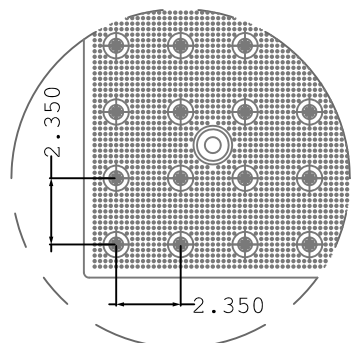
NOTE: U.S. PATENT # 7,779,581 APPEARS ON TOP SIDE OF PART AS SHOWN.



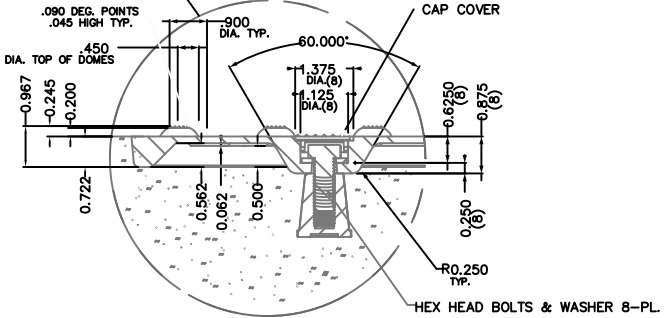
VIEW-D



VIEW - B



VIEW - "D" 2 x SIZE
FIELD DOT 7 DOME LAYOUT



VIEW - B 3 x SIZE

WWW.ADATILE.COM

U.S. PATENT
7,779,581

TRADE TACTILE WARNING SURFACE	PART NO. 2460STDNVREP
-------------------------------	-----------------------

MATERIAL: SMC COMPOSITE

PROJECT
WET SET ADA STD REPLACEABLE TACTILE WARNING SURFACE UNIT
8-BOLT LOCATIONS
2.350" IN LINE TRUNCATED DOME PATTERN
PART SIZE 24" x 60"
PLANS AND DETAILS

DRAWING NO. ADA-REPSTD2460	DATE 09-25-10
----------------------------	---------------

ADA SOLUTIONS, INC.
(800) 372-0519
P.O. Box 3
N.Billerica, Ma. 01862