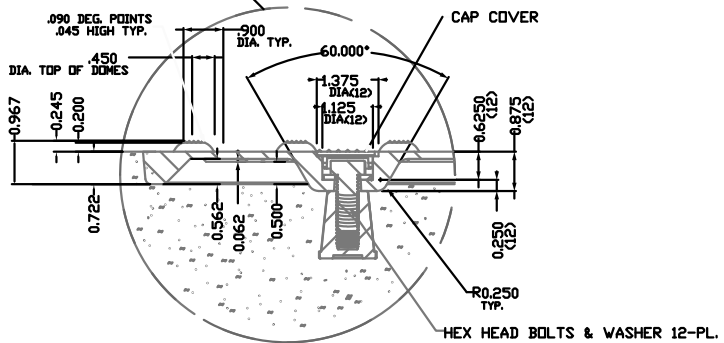
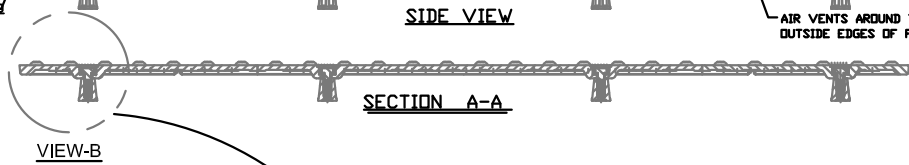
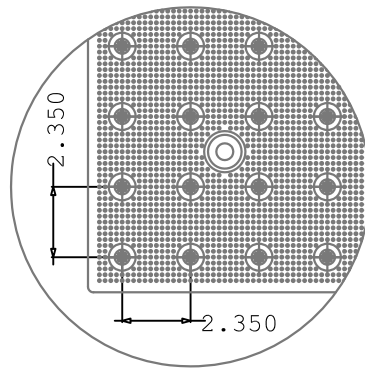


NOTE: U.S. PATENT # 7,779,581 APPEARS ON TOP SIDE OF PART AS SHOWN.



VIEW - B 3 x SIZE



WWW.ADATILE.COM	
<b>U.S. PATENT # 7,779,581</b>	
TRADE TACTILE WARNING SURFACE	PART NO. 3660STDVREP
MATERIAL SNC COMPOSITE	
PROJECT WET SET ADA STD REPLACEABLE TACTILE WARNING SURFACE UNIT 12-BOLT LOCATIONS 2.350" IN LINE TRUNCATED DOME PATTERN PART SIZE 36" x 60" FLANS AND DETAILS	
DRAWING NO. ADA-REPSTD3660	DATE 09-25-10
ADA SOLUTIONS, INC. (800) 372-0519 P.O. Box 3 N.Billerica, Ma. 01862	