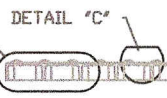


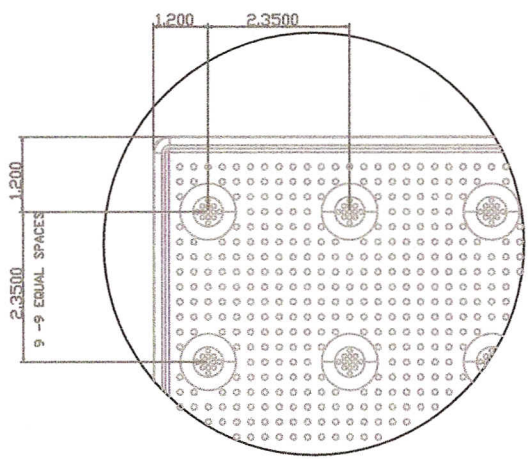
TOP OF PANEL



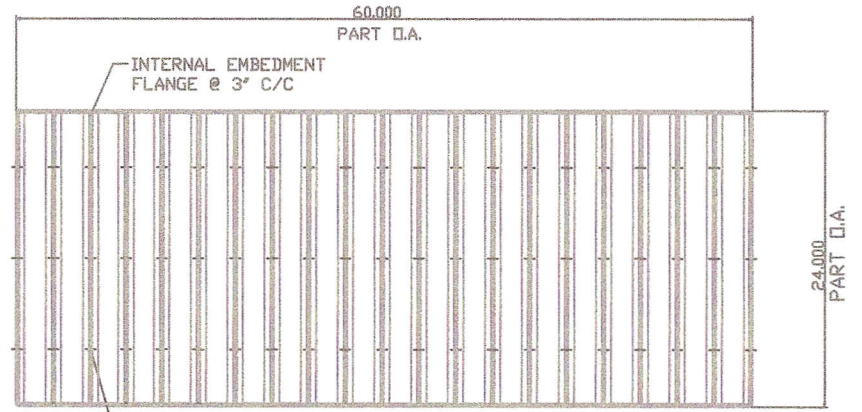
DETAIL "B"



DETAIL "C"

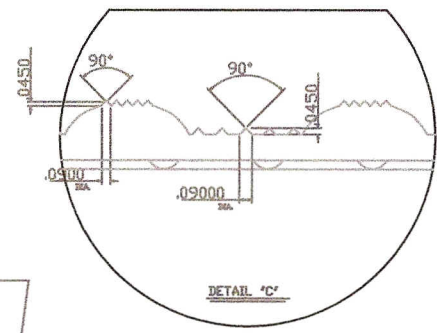


DETAIL "A"

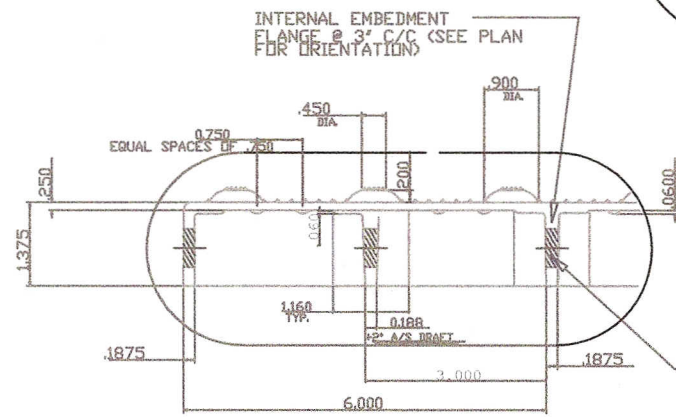


BOTTOM OF PANEL

0.625" DIA. HOLE
EMBEDMENT FLANGES



DETAIL "C"



DETAIL "B"

0.625" DIA. HOLE
EMBEDMENT FLANGES
AS SHOWN IN PLAN

MATERIAL LIST			
ITEM	DESCRIPTION	PART NO.	QT 'Y
1			
2			
3			
4			

SCALE: AS NOTED FULL SIZE

TRADE: DETECTABLE WARNING SURFACE	PART NO.:
MATERIAL:	SEE MATERIAL LIST

PROJECT: EMBEDMENT PANEL DETECTABLE WARNING SURFACE SYSTEM
24" x 60" SOUND ATTENUATING CURB RAMP TILE (INLINE DOME) PLANS AND DETAILS

DRAWING NO.:	REV. NO.:
--------------	-----------

ADA SOLUTIONS, INC.
P.O. Box 3
N.Billerica, Ma. 01862