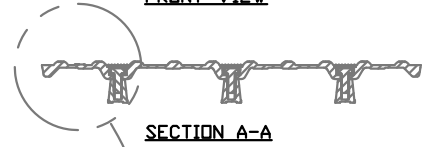
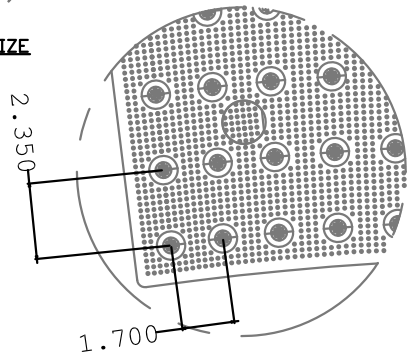
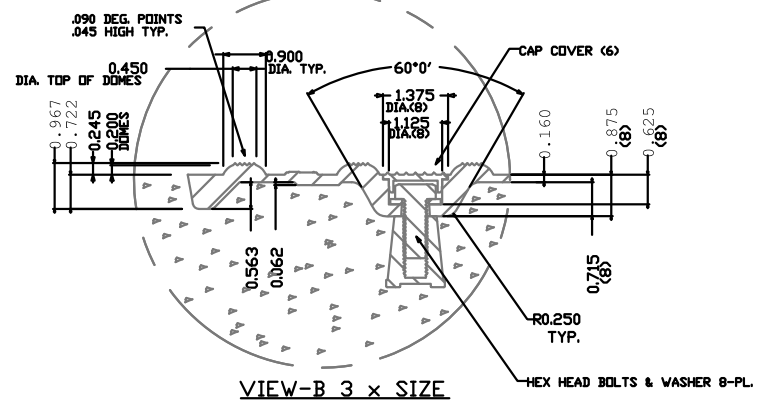
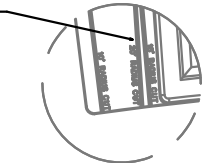


Curb Radius	'A' Dimension	'B' Dimension
10'	2' - 8 <sup>5</sup> / <sub>16</sub> "	2' - 2 <sup>7</sup> / <sub>16</sub> "
15'	2' - 3 <sup>5</sup> / <sub>8</sub> "	1' - 11 <sup>7</sup> / <sub>16</sub> "
20'	2' - 3 <sup>1</sup> / <sub>16</sub> "	1' - 11 <sup>15</sup> / <sub>16</sub> "



LABELED RADIUS  
CUT LINES FOR  
10', 15', 20' RADIAL



WWW.ADATILE.COM

U.S. PATENT  
# 7,779,581  
+ PATENT PENDING

TRADE TACTILE WARNING SURFACE PART NO. 24RADREP

MATERIAL SMC COMPOSITE

PROJECT

WET SET ADA STD REPLACEABLE TACTILE WARNING SURFACE UNIT  
8-BOLT LOCATIONS  
2.350" IN LINE TRUNCATED DOME PATTERN  
PART SIZE 24" x 10', 15', 20' RADIAL  
PLANS AND DETAILS

DRAWING NO. ADA-REP24RAD DATE 08-08-11

ADA SOLUTIONS, INC.  
(800) 372-0519  
P.O. Box 3  
N.Billerica, Ma. 01862