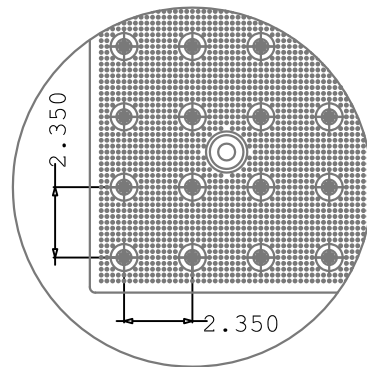
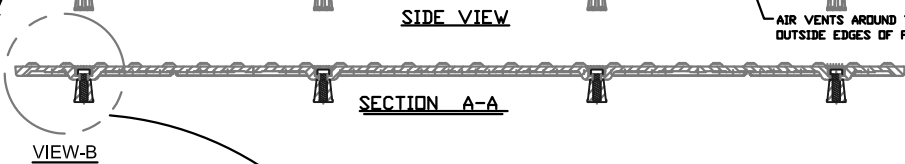
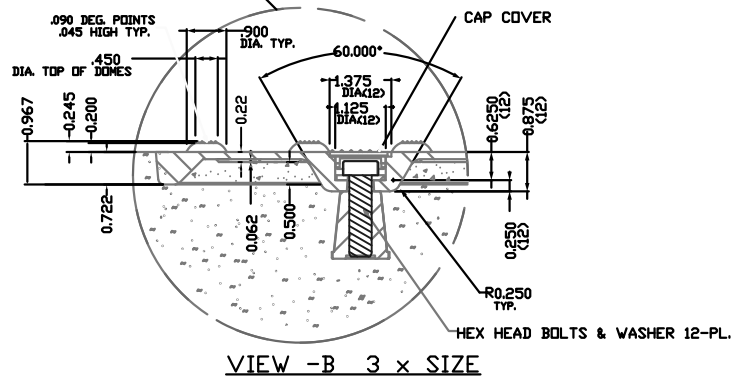


BOTTOM VIEW

NOTE: U.S. PATENTS # 7,779,581 AND # 8,028,491 APPEARS ON TOP SIDE OF PART AS SHOWN.



VIEW - " D" 2 x SIZE
FIELD DOT 13 ON DOME LAYOUT



WWW.ADATILE.COM

U.S. PATENT
7,779,581
& 8,028,491

TRADE TACTILE WARNING SURFACE	PART NO. 3660NV12REP
MATERIAL SIC COMPOSITE	

PROJECT	
WET SET ADA STD REPLACEABLE TACTILE WARNING SURFACE UNIT 12-BOLT LOCATIONS 2.350" IN LINE TRUNCATED DOME PATTERN PART SIZE 36" x 60" PLANS AND DETAILS	

DRAWING NO. ADA-REP3660	DATE 10-05-11
----------------------------	------------------

ADA SOLUTIONS, INC.
(800) 372-0519
P.O. Box 3
N.Billerica, Ma. 01862