

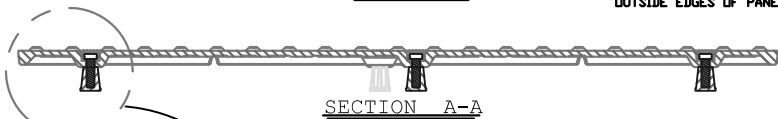
BOTTOM VIEW

NOTE: U.S. PATENTS # 7,779,581 AND # 8,028,491 APPEARS ON TOP SIDE OF PART AS SHOWN.



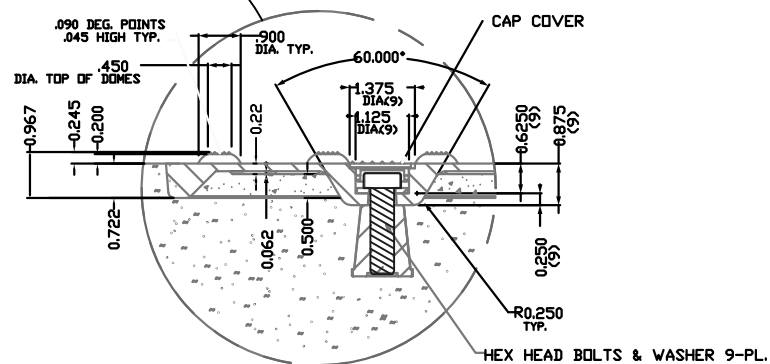
SIDE VIEW

AIR VENTS AROUND THE OUTSIDE EDGES OF PANEL

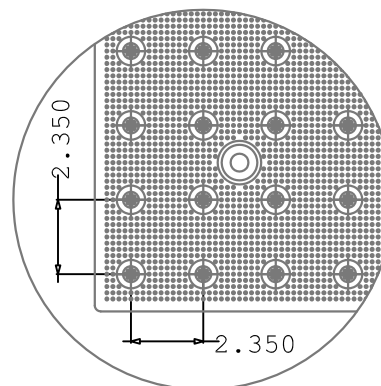


SECTION A-A

VIEW-B



VIEW - B 3 x SIZE



**VIEW - " D" 2 x SIZE
FIELD DOT 13 ON DOME LAYOUT**

WWW.ADATILE.COM

**U.S. PATENT
7,779,581
& 8,028,491**

TRADE TACTILE WARNING SURFACE		PART NO. 3648NV9REP
MATERIAL SMC COMPOSITE		
PROJECT WET SET ADA STD REPLACEABLE TACTILE WARNING SURFACE UNIT 9-BOLT LOCATIONS 2.350" IN LINE TRUNCATED DOME PATTERN PART SIZE 36" x 48" PLANS AND DETAILS		
DRAWING NO. ADA-REP3648	DATE 10-05-11	
ADA SOLUTIONS, INC. (800) 372-0519 P.O. Box 3 N.Billerica, Ma. 01862		