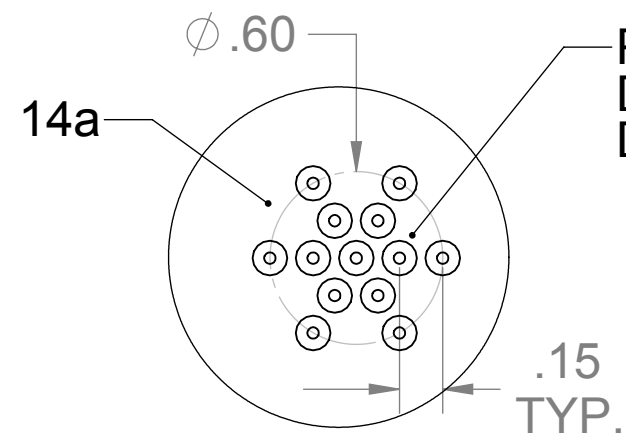
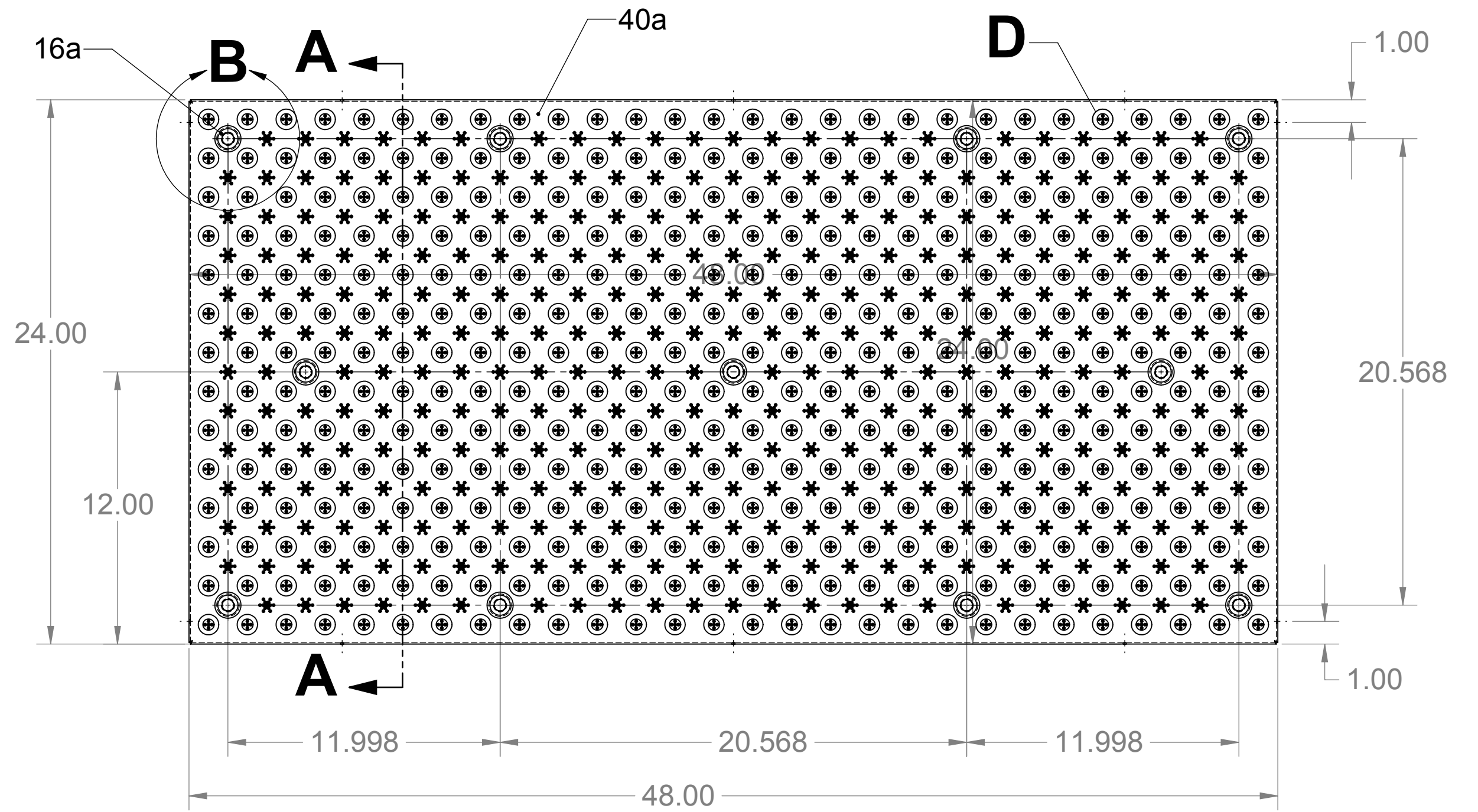
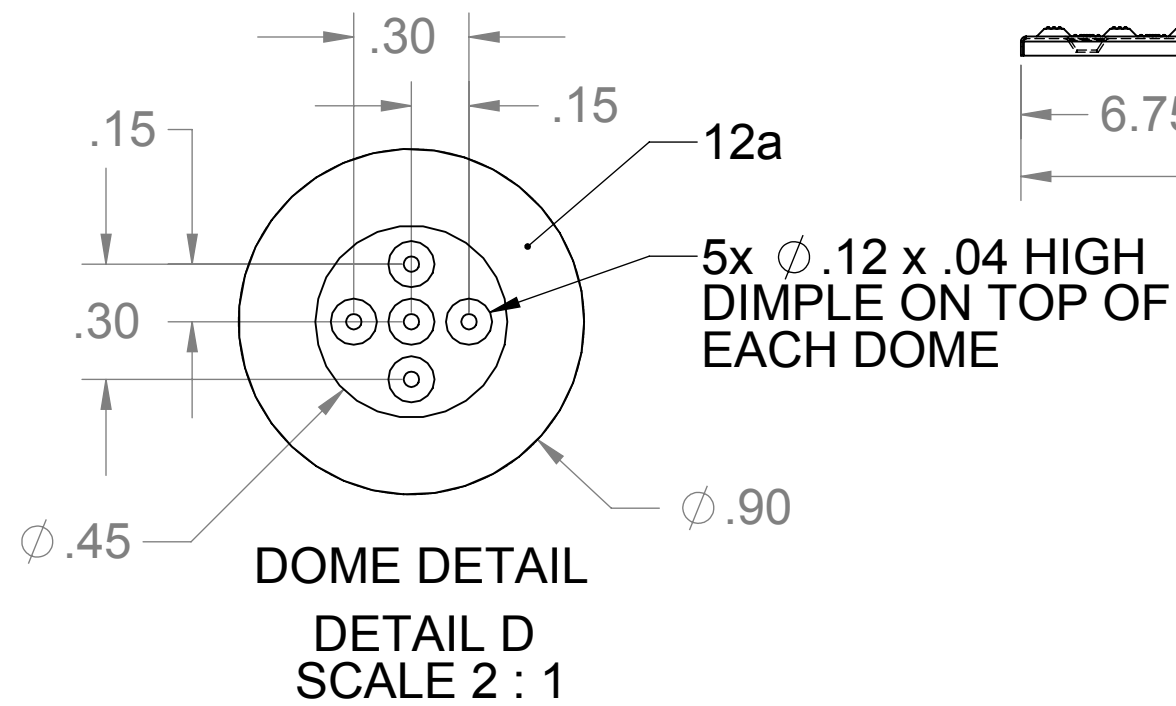


DETAIL B
SCALE 3 : 4



DETAIL C
SCALE 6 : 4

PATTERN OF 13x ϕ .12 x .04 HIGH DIMPLE, CENTERED BETWEEN DOMES



DOMES DETAIL
SCALE 2 : 1

5x ϕ .12 x .04 HIGH DIMPLE ON TOP OF EACH DOME

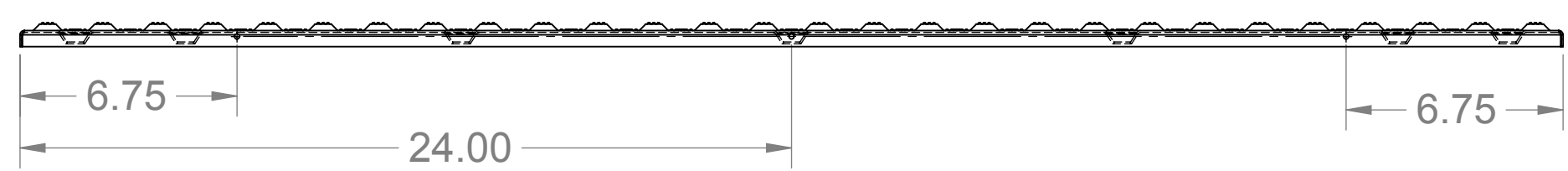
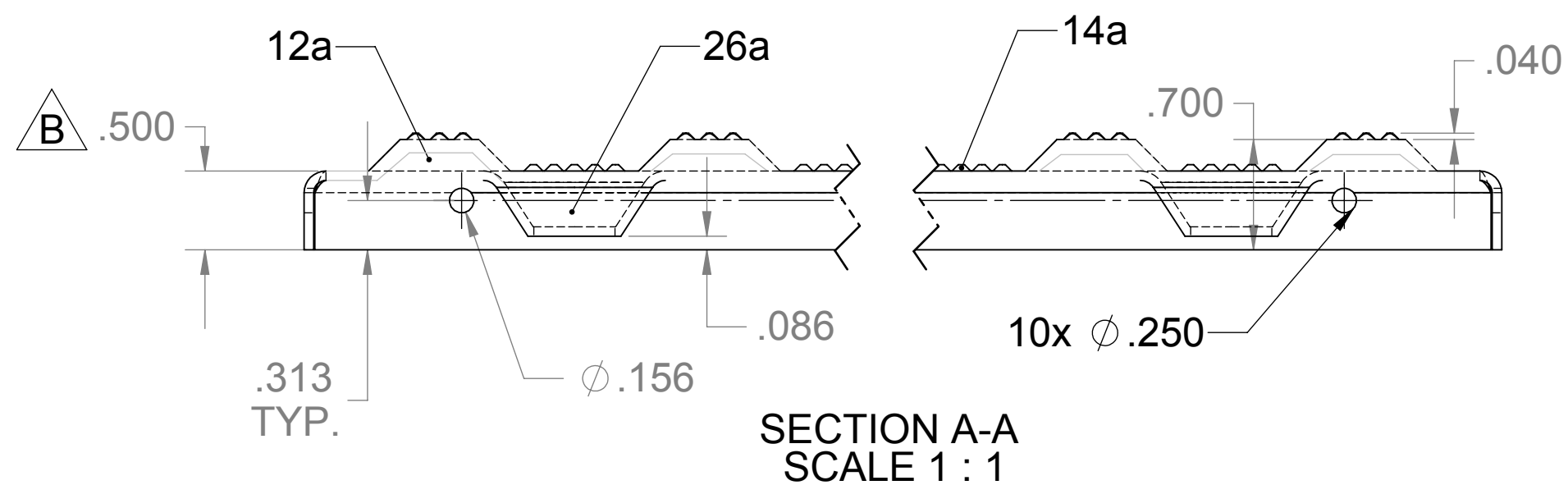


Fig. 4



SECTION A-A
SCALE 1 : 1

B	GTH	.500 WAS .375	02/29/08
A	EEB	INITIAL RELEASE	06/28/07
REV	BY	DESCRIPTION	DATE
MACHINING TOLERANCES:			
FRACTIONS		$\pm 1/32$	CROSSWALK WARNING PANEL 1.714" SPACING
DECIMAL MACHINING:		XX: ± 0.015	
		XXX: ± 0.005	
FORMED SHEETMETAL:		± 0.015	
ANGLES:		$\pm 1/2^\circ$	
FINISH:		125	
DRAWN BY: ED BALOT			DATE: 06/20/07

